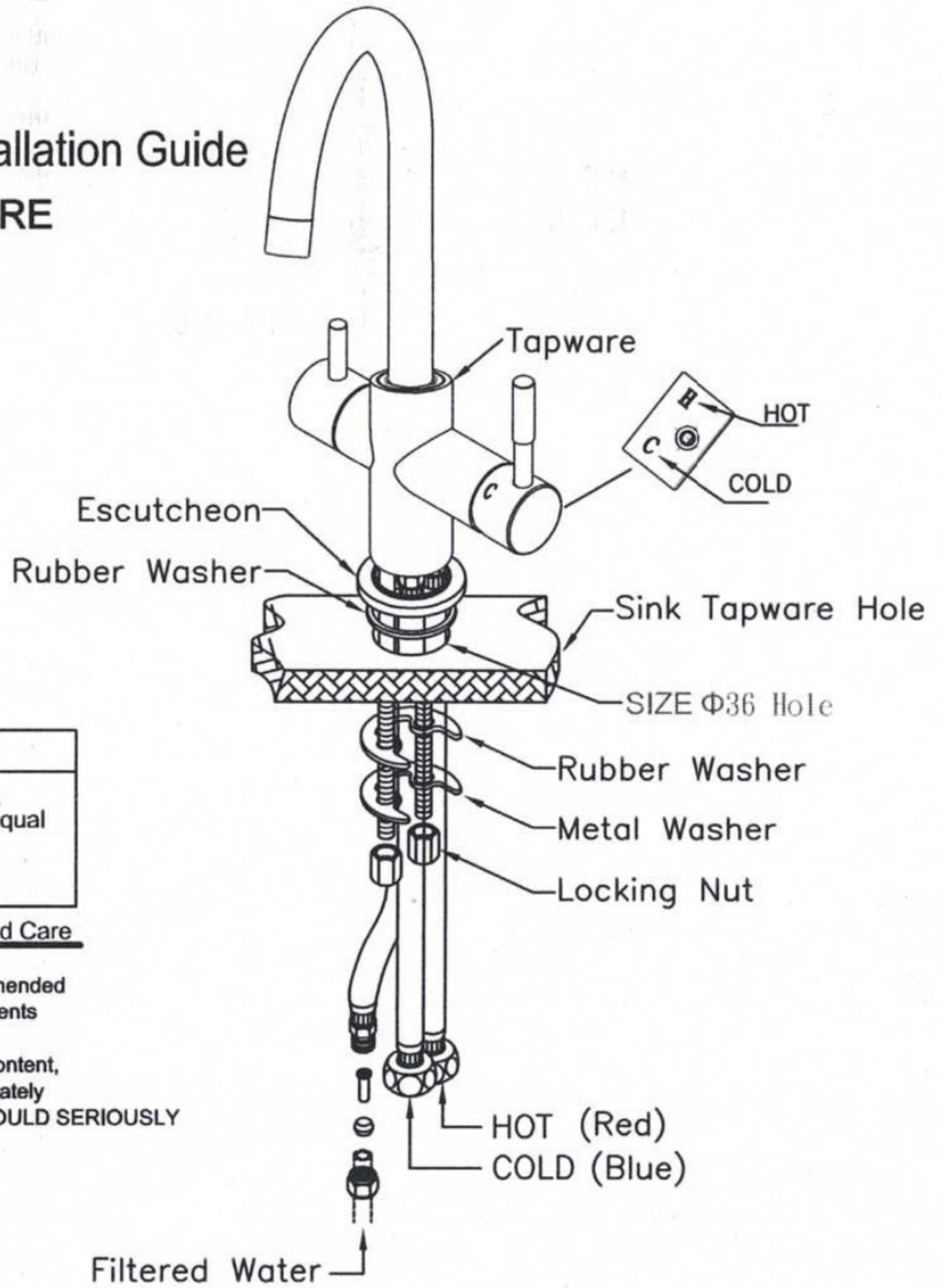


Kitchen & Drinking Tapware Installation Guide

WATER EFFICIENT TAPWARE

(NOMINAL FLOW RATE=7.5L/min)



IMPORTANT
Pressure & Temperature Requirements
 *Hot and cold water inlet pressures should be equal
 *Inlet pressure range : 150-1000 kPa
 *Maximum hot water temperature : 80°C

IMPORTANT Notice of Routine Maintenance and Care
 *Occasional cleaning of aerator is recommended
 *Use of soapy water and a soft sponge or cloth is recommended
 *Avoid cleaning with chemicals, solvents, or harsh detergents (THIS MAY SERIOUSLY HARM SURFACE AREA)
 *If used with hard water or water with very high mineral content, it is absolutely necessary to clean and dry faucet immediately after every use. (CALCIUM AND OTHER MINERALS COULD SERIOUSLY DAMAGE SURFACE AREA).

