

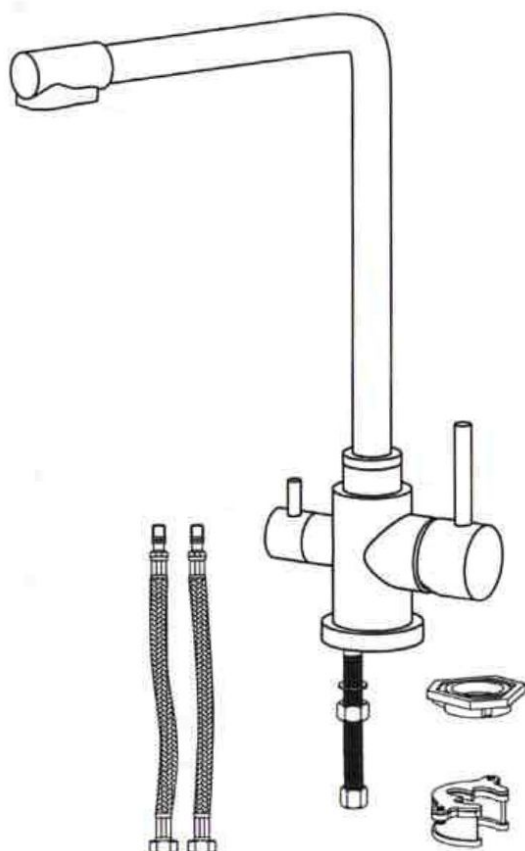
Installation Instruction

Three Way Kitchen Faucet



Before Your Installation

Check to make sure you have the following parts indicated below:



Tools You Will Need



Adjustable wrench



Spanner
(supplied)



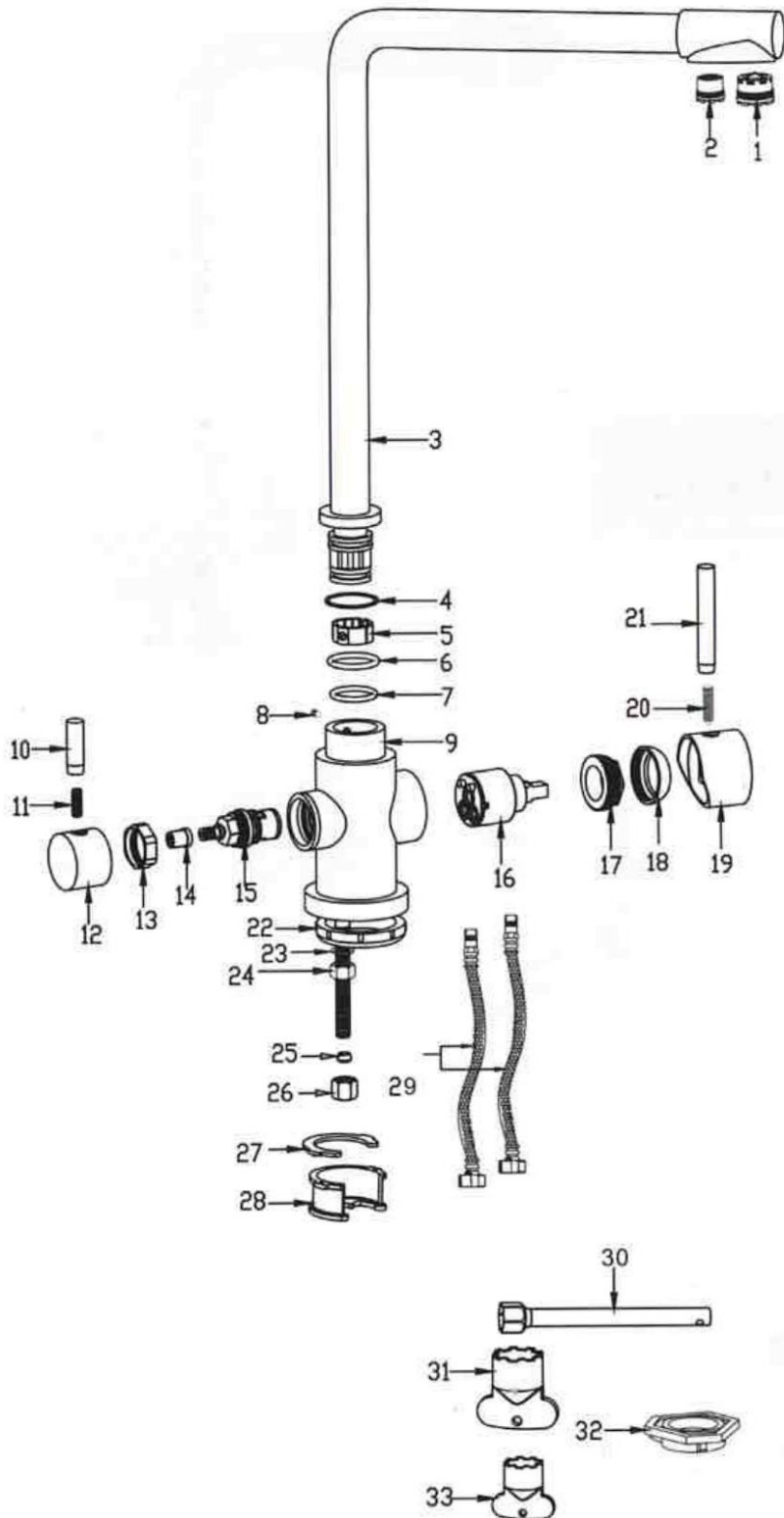
Spanner for aerator
Ø21.5mm(supplied)



Spanner for aerator
Ø16.5mm(supplied)

Replacement Parts

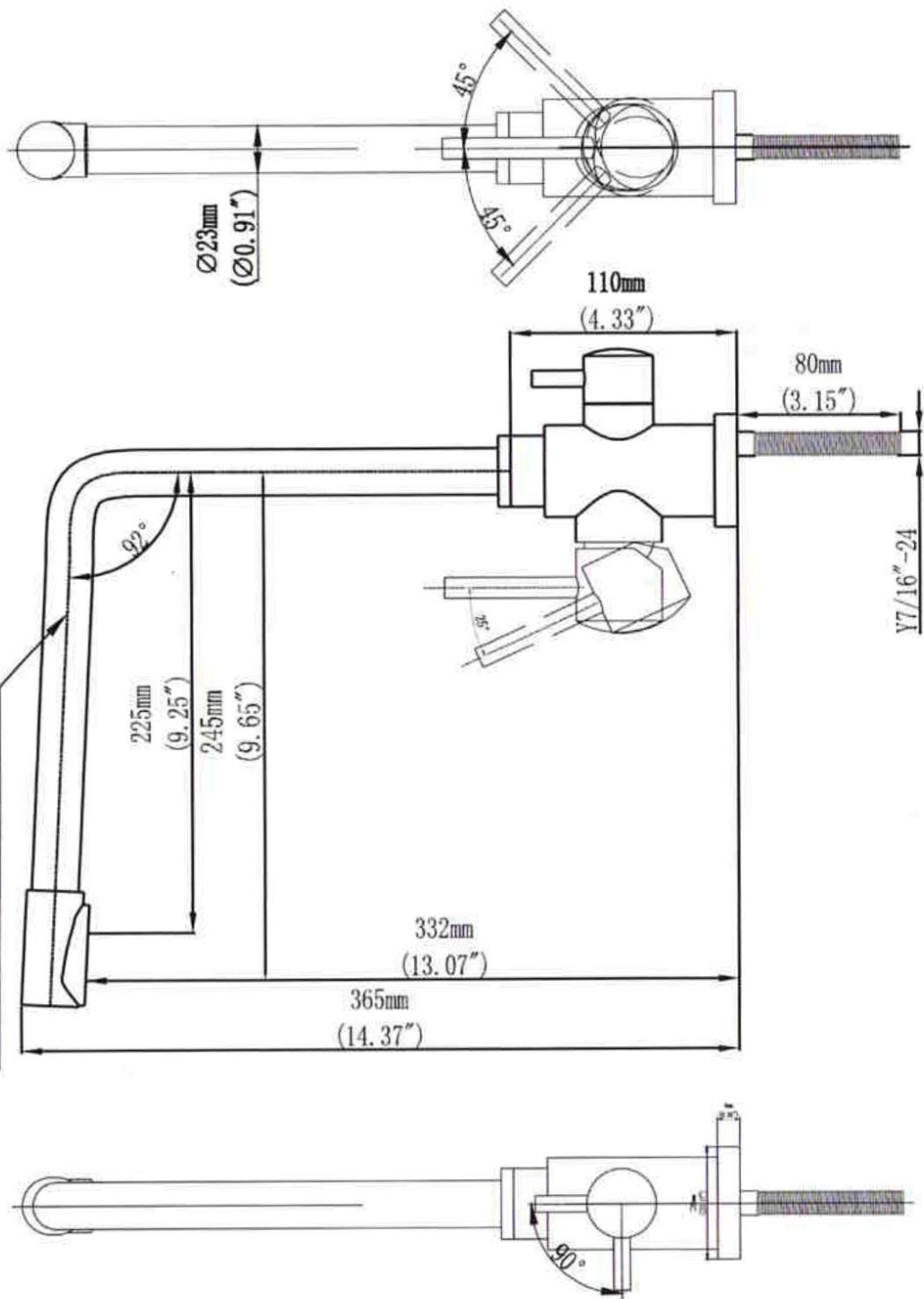
Keep this manual for ordering replacement parts.



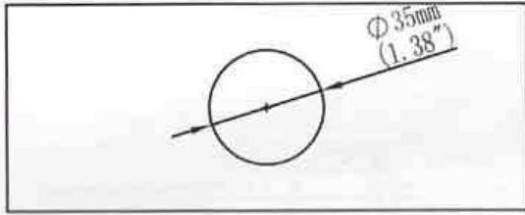
- | NO. | NAME |
|-----|------------------------|
| 1. | Aerator |
| 2. | Aerator |
| 3. | Spout |
| 4. | Anti-friction ring |
| 5. | Plastic cover |
| 6. | O-ring |
| 7. | O-ring |
| 8. | Screw |
| 9. | Faucet body |
| 10. | Handle lever |
| 11. | Screw |
| 12. | Handle body |
| 13. | Lock nut |
| 14. | Universal sleeve |
| 15. | Cartridge |
| 16. | Cartridge |
| 17. | Lock nut |
| 18. | Cartridge cover |
| 19. | Handle body |
| 20. | Screw |
| 21. | Handle lever |
| 22. | Bottom gasket |
| 23. | Washer |
| 24. | Lock nut |
| 25. | Plug |
| 26. | Connecting nut |
| 27. | Rubber gasket |
| 28. | Stainless steel gasket |
| 29. | Hose |
| 30. | Spanner |
| 31. | Spanner for aerator |
| 32. | Strengthening part |
| 33. | Spanner for aerator |

Product Dimension Drawing

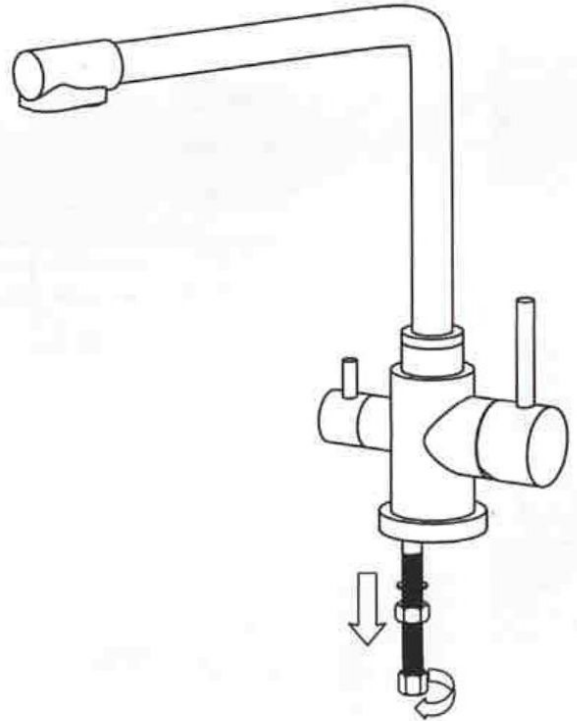
The spout arm could be swiveled 360°



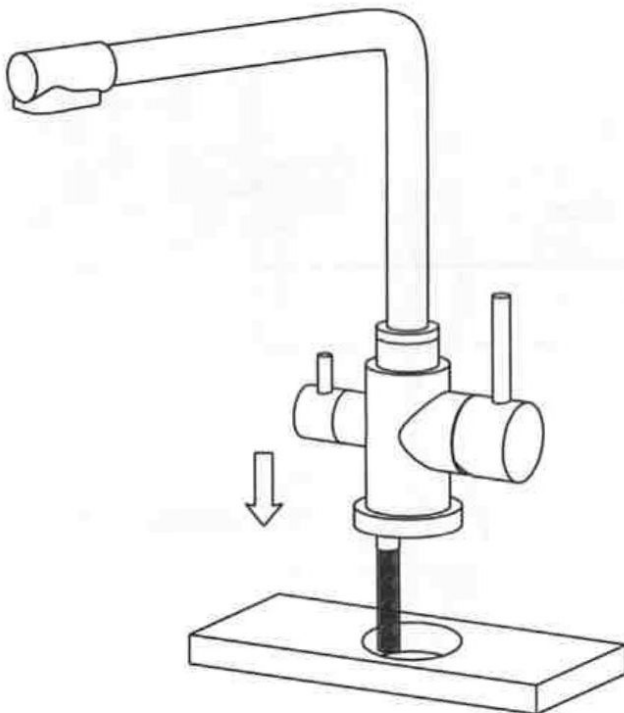
Faucet Installation Procedures



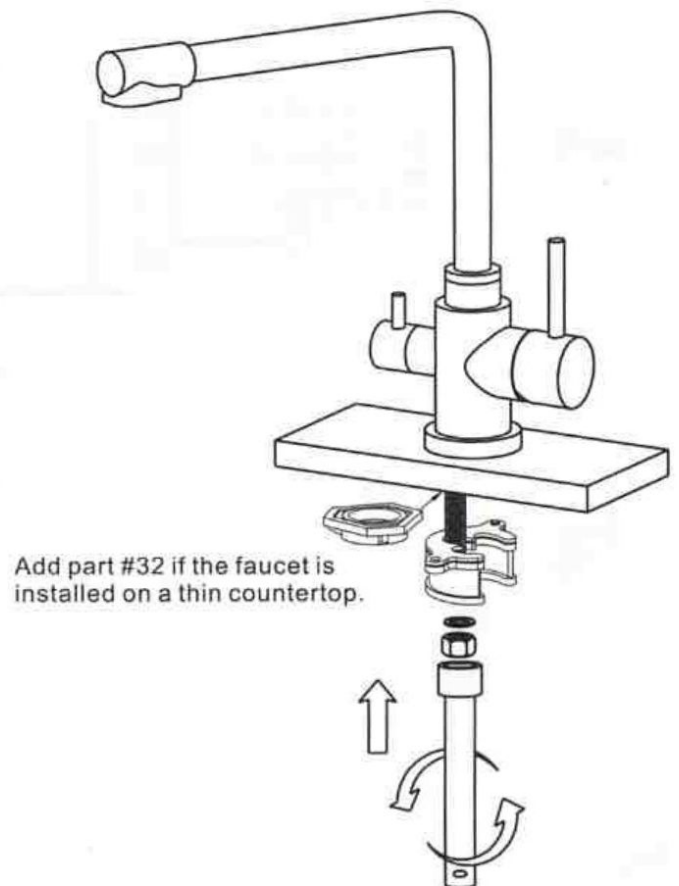
Step ①



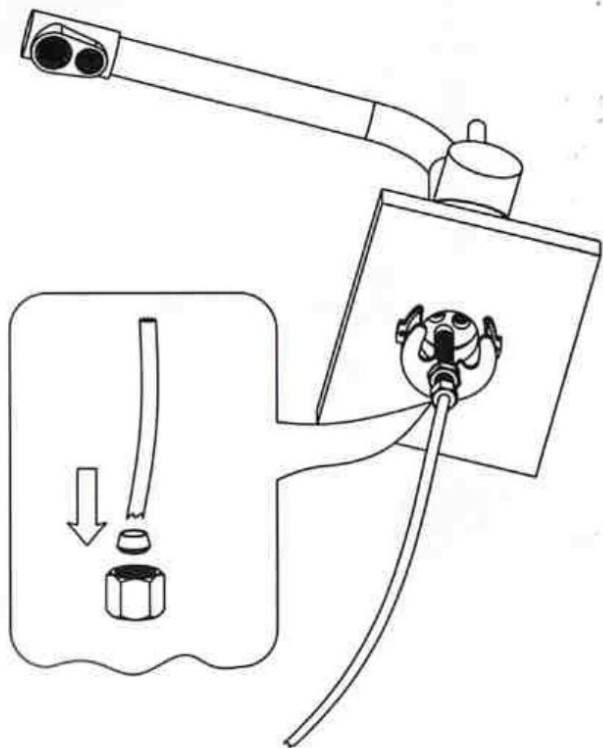
Step ②



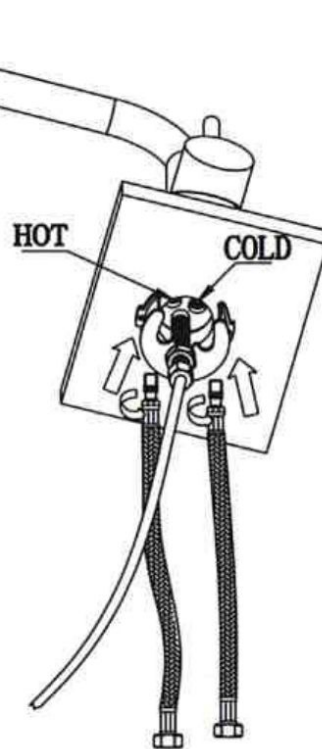
Step ③



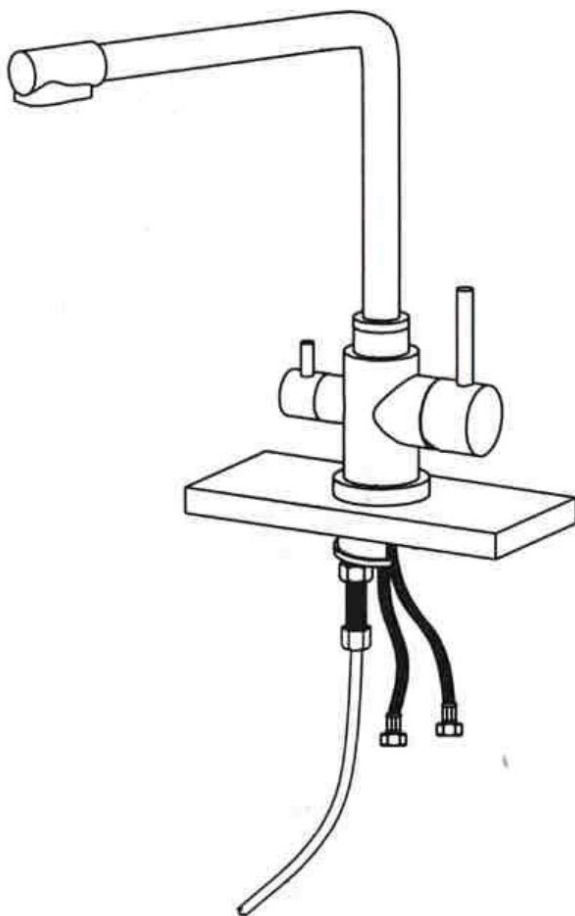
Step ④



Step ⑤

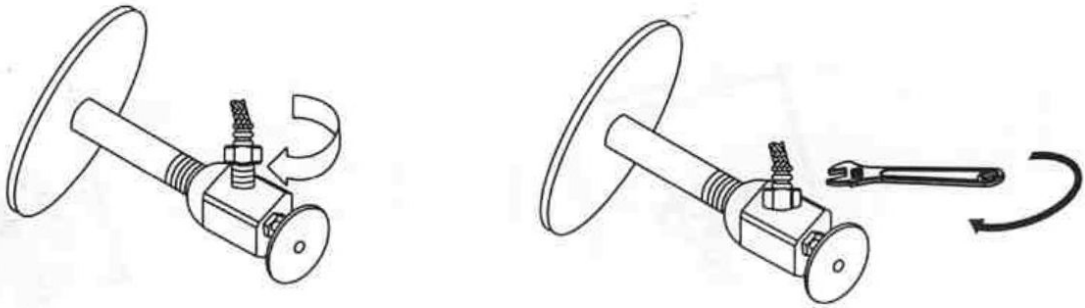


Step ⑥

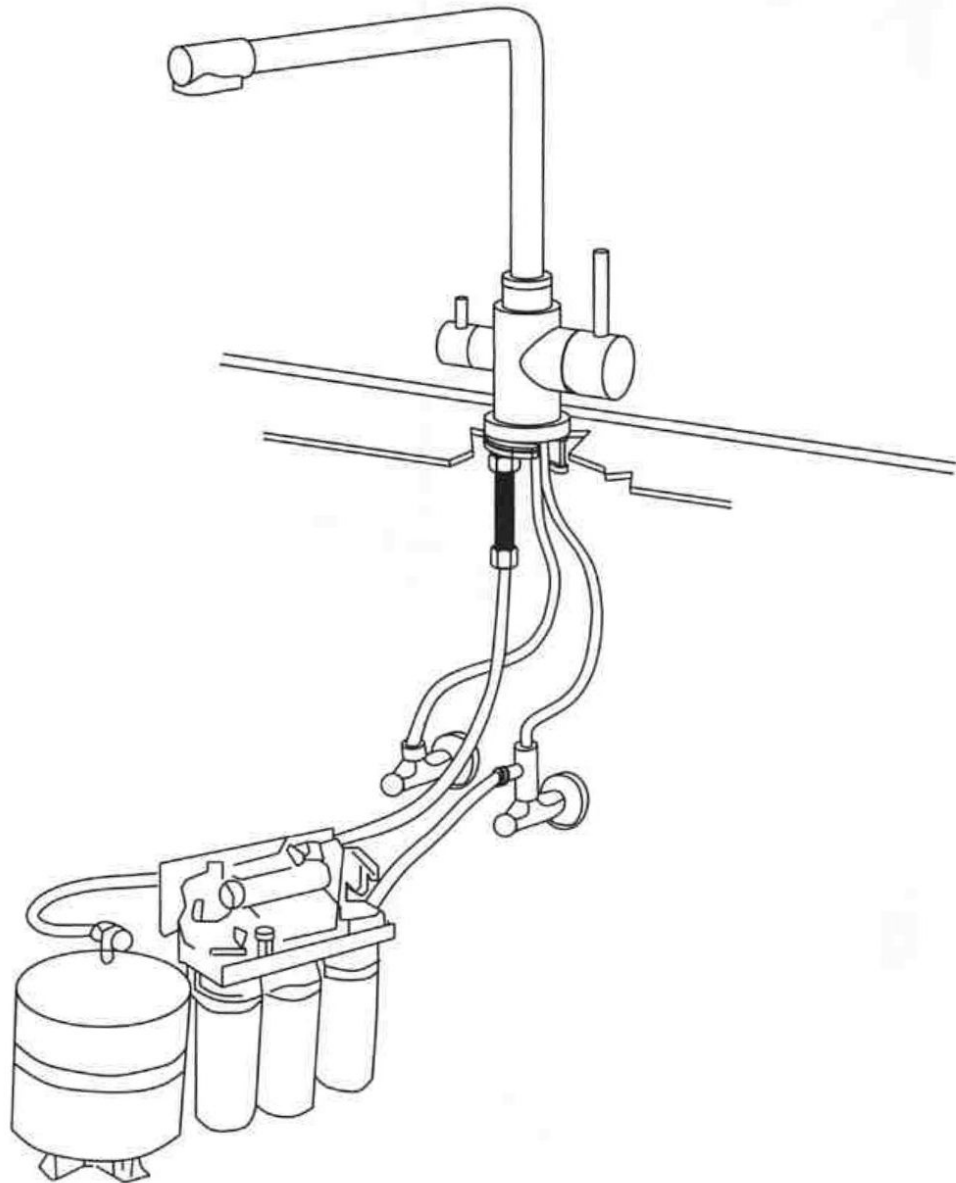


Step ⑦

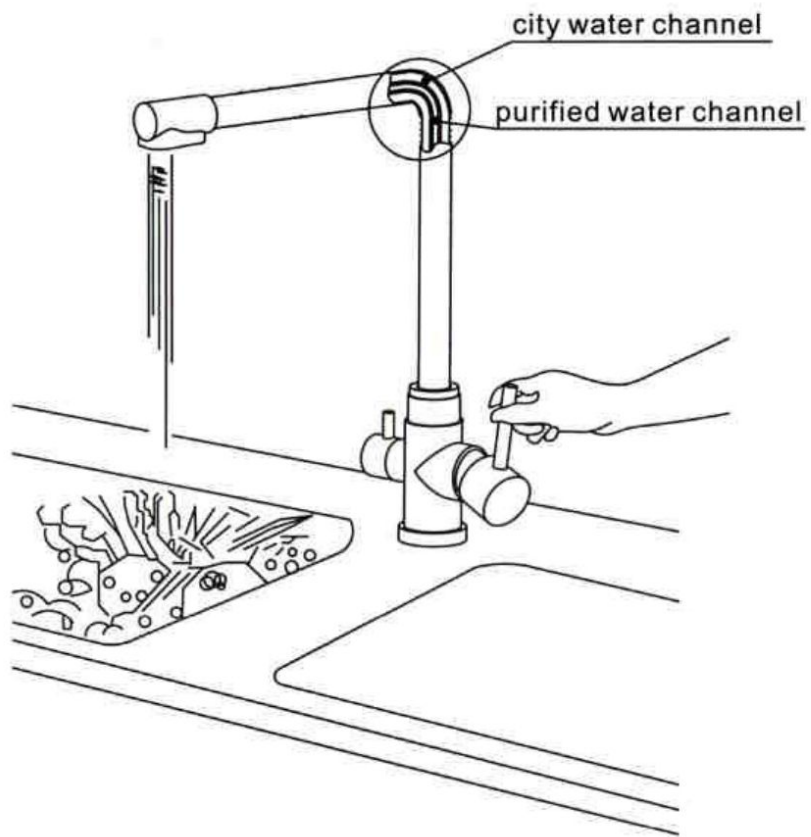
Flush construction debris out of water valves and pipes BEFORE connecting water lines.



Step ⑧



Step ⑨



Step ⑩

