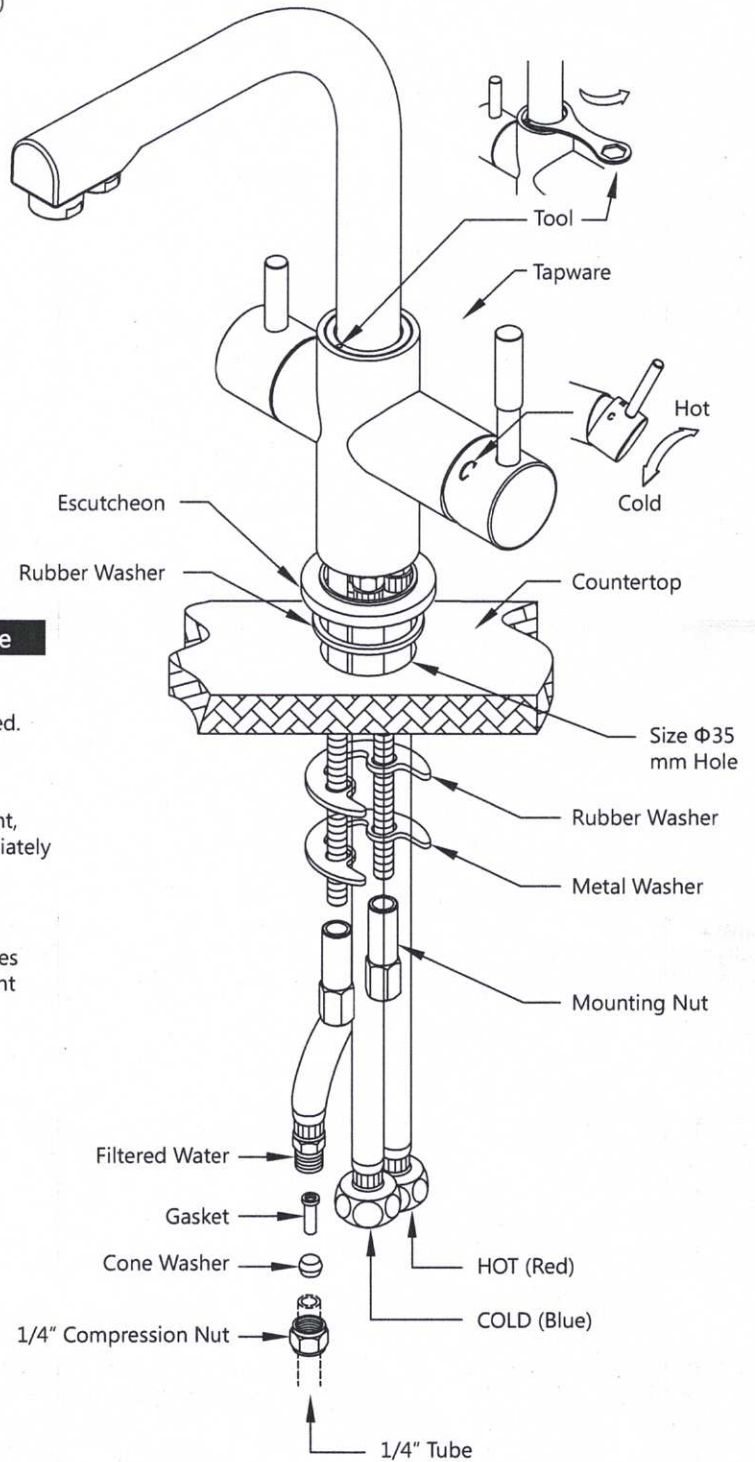


# INSTALLATION INSTRUCTION

WKD02DCCDD-EE & WKDP02DCCDD-EE  
 WATER EFFICIENT TAPWARE (NOMINAL FLOW RATE = 7.5 L/min)

## Pressure & Temperature Requirement

- \*Hot and cold water inlet pressures should be equal
- \*Inlet pressure range : 150 ~ 1000 kPa
- \*Maximum hot water temperature : 80 °C



## Important Notice Of Routine Maintenance And Care

- Occasional cleaning of aerator is recommended.
- Use of soapy water and a soft sponge or cloth is recommended.
- Avoid cleaning with chemicals, solvents, or harsh detergents. (THIS MAY SERIOUSLY HARM SURFACE AREA)
- If used with hard water or water with very high mineral content, it is absolutely necessary to clean and dry the tapware immediately after every use. (CALCIUM AND OTHER MINERALS COULD SERIOUSLY DAMAGE SURFACE AREA)
- When installing with filtration system with carbon filters or changing carbon filters, it's suggested to flush the filtered tubes from the system before connecting with the tapware to prevent possible carbon dust contamination into tapware cartridge to cause leaking.

